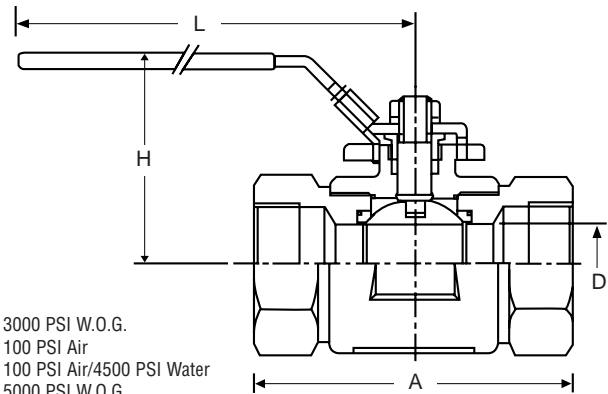
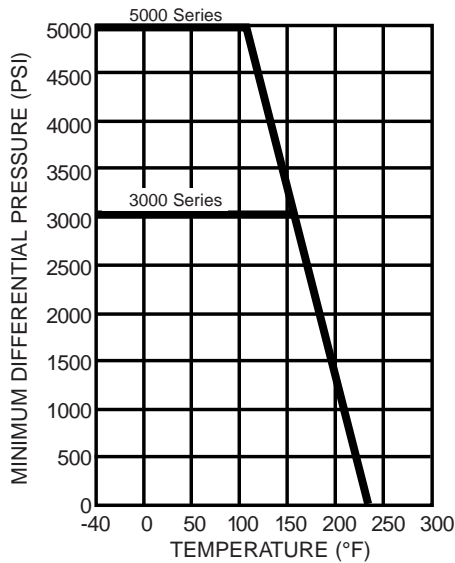


QT™ Series 37-300 Ball Valves are engineered for critical service across a wide range of applications and operating conditions. All body styles and materials of construction meet or exceed applicable industry standards.

- **Blow-out proof stem ensures leak-free performance, dependable flow control, and ease of operation.**
- **Large ports permit unobstructed fluid flow while minimizing pressure drop.**
- **Available in carbon or stainless steel.**
- **Pressure-tested for optimum seat integrity and performance.**
- **Standard sliding lock keeps valve handle securely in position.**



Pressure-Temperature Limits for Delrin Seats



3000 PSI Valve 3000 PSI W.O.G.
 Seat: 100 PSI Air
 Shell > 100 PSI Air/4500 PSI Water

5000 PSI Valve 5000 PSI W.O.G.
 Seat: 100 PSI Air
 Shell > 100 PSI Air/7500 PSI Water

Part	Material	
Body	A351-CF8M	A216 WCB
Adapter	A351-CF8M	AISI 1018
Stem	316 SS f/33 17-4PH f/35	
Ball	316 SS	
Adapter Gasket	PTFE	
Seat	Delrin 100AF	
Seat Seal	Viton®	
Packing	Graphite	
Thrust Bearing	PEEK	
Handle Assembly	304 SS	CS
Packing Nut	316 SS	CS
Handle Nut	304 SS	CS
Handle Nut Washer	304 SS	CS

© Viton is a registered trademark of E.I. DuPont Corp.

Size	PSI	* Product Number	A	D	L	H	Port
1/4"	3000	3733X001	3.00"	0.25"	4.33"	1.92"	1/4" Full Port
1/2"	3000	3733X003	4.00"	0.50"	4.33"	1.92"	1/2" Full Port
3/4"	3000	3733X004	4.25"	0.75"	5.83"	2.56"	3/4" Full Port
1"	3000	3733X005	4.25"	0.75"	5.83"	2.56"	1" Reduce Port
1-1/2"	3000	3733X007	5.25"	1.50"	13.87"	4.13"	1 1/2" Full Port
2"	3000	3733X008	6.25"	1.50"	13.87"	4.13"	2" Reduce Port
1/4"	5000	3735X001	3.00"	0.25"	4.33"	1.92"	1/4" Full Port
1/2"	5000	3735X003	4.00"	0.50"	4.33"	1.92"	1/2" Full Port
3/4"	5000	3735X004	4.25"	0.75"	5.83"	2.56"	3/4" Full Port
1"	5000	3735X005	4.25"	0.75"	5.83"	2.56"	1" Reduce Port
1-1/2"	5000	3735X007	5.25"	1.50"	13.87"	4.13"	1 1/2" Full Port
2"	5000	3735X008	6.25"	1.50"	13.87"	4.13"	2" Reduce Port

* Replace X with a 1 for Carbon Steel or a 2 for Stainless Steel



A Unit of Robbins & Myers, Inc.

R&M Energy Systems
 P.O. Box 2871
 Borger, Texas, U.S.A. 79008-2871
 (800) 858-4158
 (806) 274-5293 • Fax (806) 274-3418

R&M Energy Systems Canada
 9830 - 45th Avenue
 Edmonton, Alberta, Canada T6E 5C5
 (800) 661-5659
 (780) 437-6316 • Fax (780) 435-3074