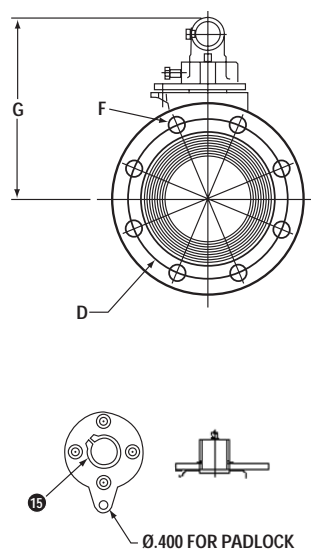
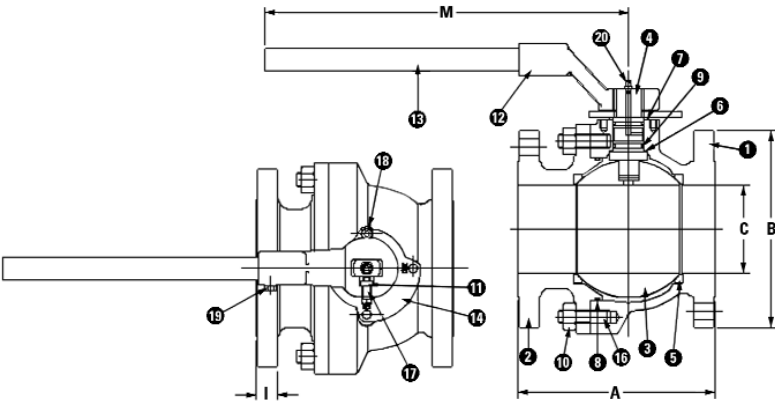


Hercules® Flanged Ball Valves feature proven performance and rugged dependability. QT™ Series 37-400 carbon steel ball valves are engineered for a wide range of applications and operating environments across a broad pressure service range. Manufactured to ANSI B16.34 and API SPEC 6D. Firesafe design, tested per API STD 607.

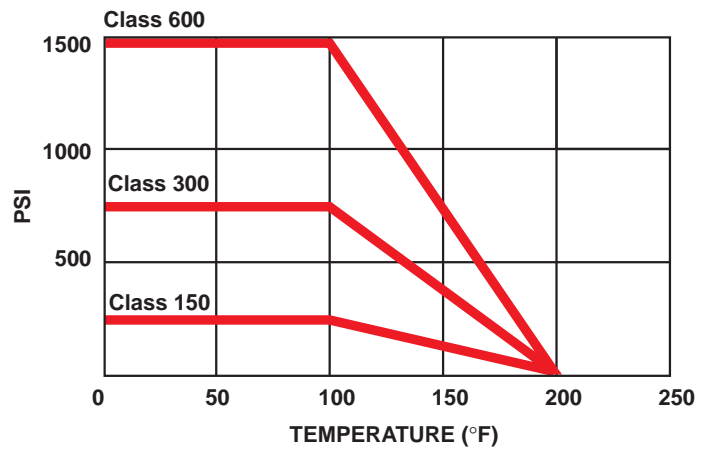
- Carbon steel body, stainless steel trim.
- Blow-out proof stem.
- Double O-ring stem seal.
- Floating ball design.
- Standard locking device.
- Lever operated.
- 2" through 6".
- ANSI 150 to 600 pressure ratings.



Item	Qty	Part	Material
1	1	Body	A216-WCB
2	1	Adapter	A216-WCB
3	1	Ball	A351-CF8M
4	1	Stem	316 SS
5	2	Seat	Delrin
6	1	Stem Bearing	Nylon 6
7	1	Thrust Bearing	TFE
8	1	Body Seal	Viton®
9	2	Stem Seal	Viton®
10	1 set	Hex Nut	A194-2H
11	1	Square Nut	CS
12	1	Handle	D.I.
13	1	Pipe	CS
14	1	Stop Plate	CS
15	1	Retainer	SK7 CS
16	1 set	Stud	A193-B7
17	1	Handle Bolt	CS
18	1	Stop Bolt	CS
19	1	Stop	CS
20	1	Grease Zerk	CS

® Viton is a registered trademark of E.I. DuPont Corp.

Pressure vs. Temperature



Size	Product Number	Bolt No. of Circle Holes							
		A	B	C	D	F	G	I	M
2"-150 RF	37401002	7.00	6.00	2.00	4.75	4	5.62	0.75	8.25
2.5"-150 RF	37401025	7.50	7.00	2.00	5.50		5.62	0.88	8.25
3"-150 RF	37401003	8.00	7.50	3.00	6.00		7.25	0.94	15.00
4"-150 RF	37401004	9.00	9.00	4.00	7.50	8	8.39	0.94	18.07
6"-150 RF	37401006	10.50	10.98	4.00	9.50		8.39	1.00	18.07
2"-300 RF	37411002	8.50	6.50	2.00	5.00		5.62	0.88	8.25
2.5"-300 RF	37411025	9.50	7.50	2.00	5.88	8	5.62	1.00	8.25
3"-300 RF	37411003	11.12	8.25	3.00	6.62		6.88	1.12	15.00
4"-300 RF	37411004	12.00	10.00	4.00	7.88		8.39	1.25	18.07
6"-300 RF	37411006	15.88	12.50	4.00	10.62	8	8.39	1.44	18.07
2"-600 RF	37421002	11.50	6.50	2.00	5.00		5.62	1.00	8.25
2"-600 RTJ	37421102	11.62	6.50	2.00	5.00		5.62	1.00	8.25
2.5"-600 RF	37421025	13.00	7.50	2.00	5.88	8	5.62	1.12	8.25
3"-600 RF	37421003	14.00	8.25	3.00	6.62		6.88	1.25	15.00
3"-600 RTJ	37421103	14.12	8.25	3.00	6.62		6.88	1.25	15.00
4"-600 RF	37421004	17.00	10.75	4.00	8.50	8	8.39	1.50	18.07
4"-600 RTJ	37421104	17.12	10.75	4.00	8.50		8.39	1.50	18.07